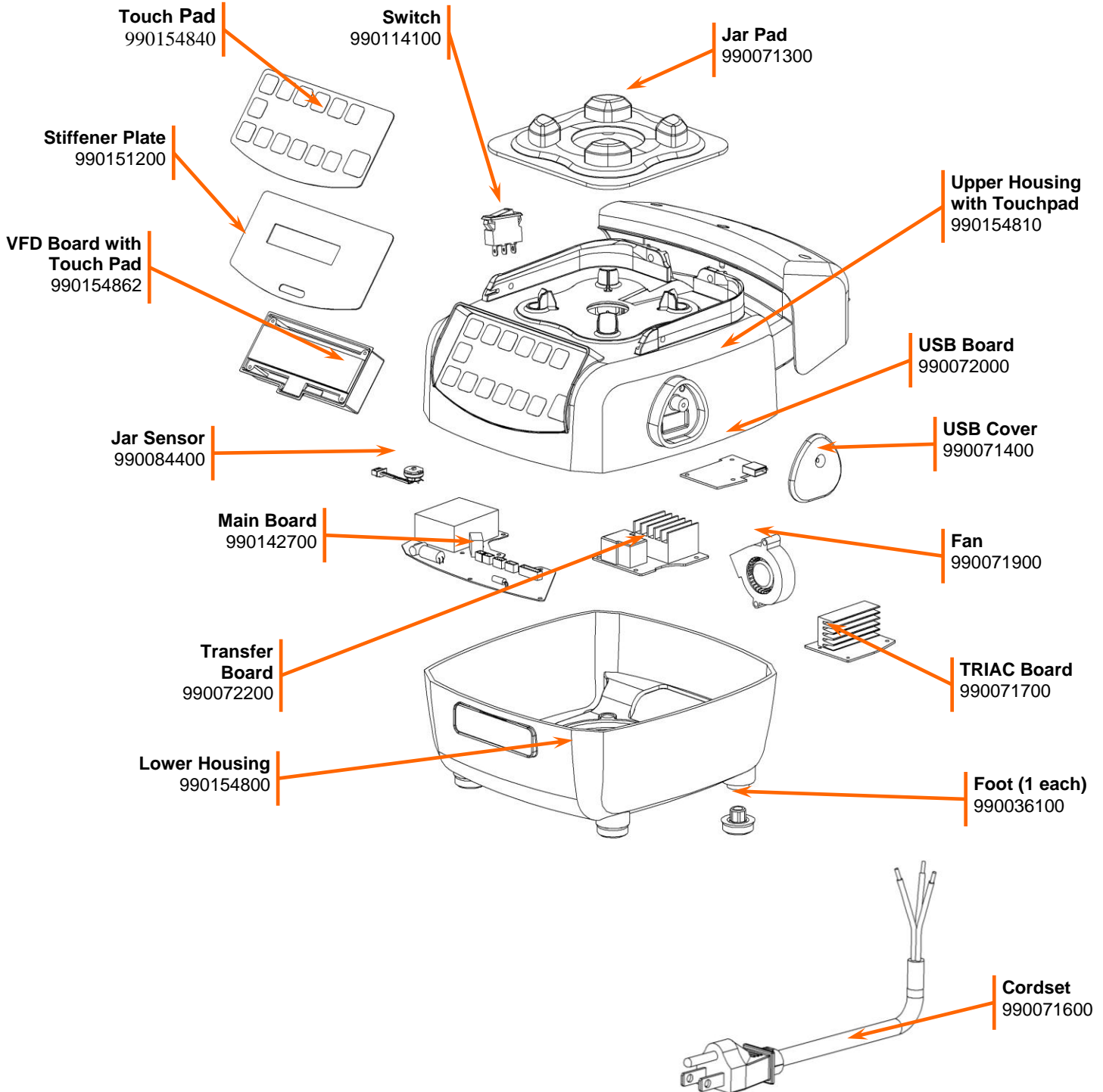



Parts and Accessories Diagram

Model HBH850

PROPRIETARY RIGHTS NOTICE This document and all information contained within it is the property of Hamilton Beach Brands, Inc. (HBB). It is confidential and proprietary and has been provided to you for a limited purpose. It must be returned or destroyed upon request. Disclosure, reproduction or use of this document and any information contained within it, in full or in part, for any purpose is forbidden without the prior written consent of HBB. No photographs may be taken of any article fabricated or assembled from this document without the prior written consent of HBB.

Replacement Parts

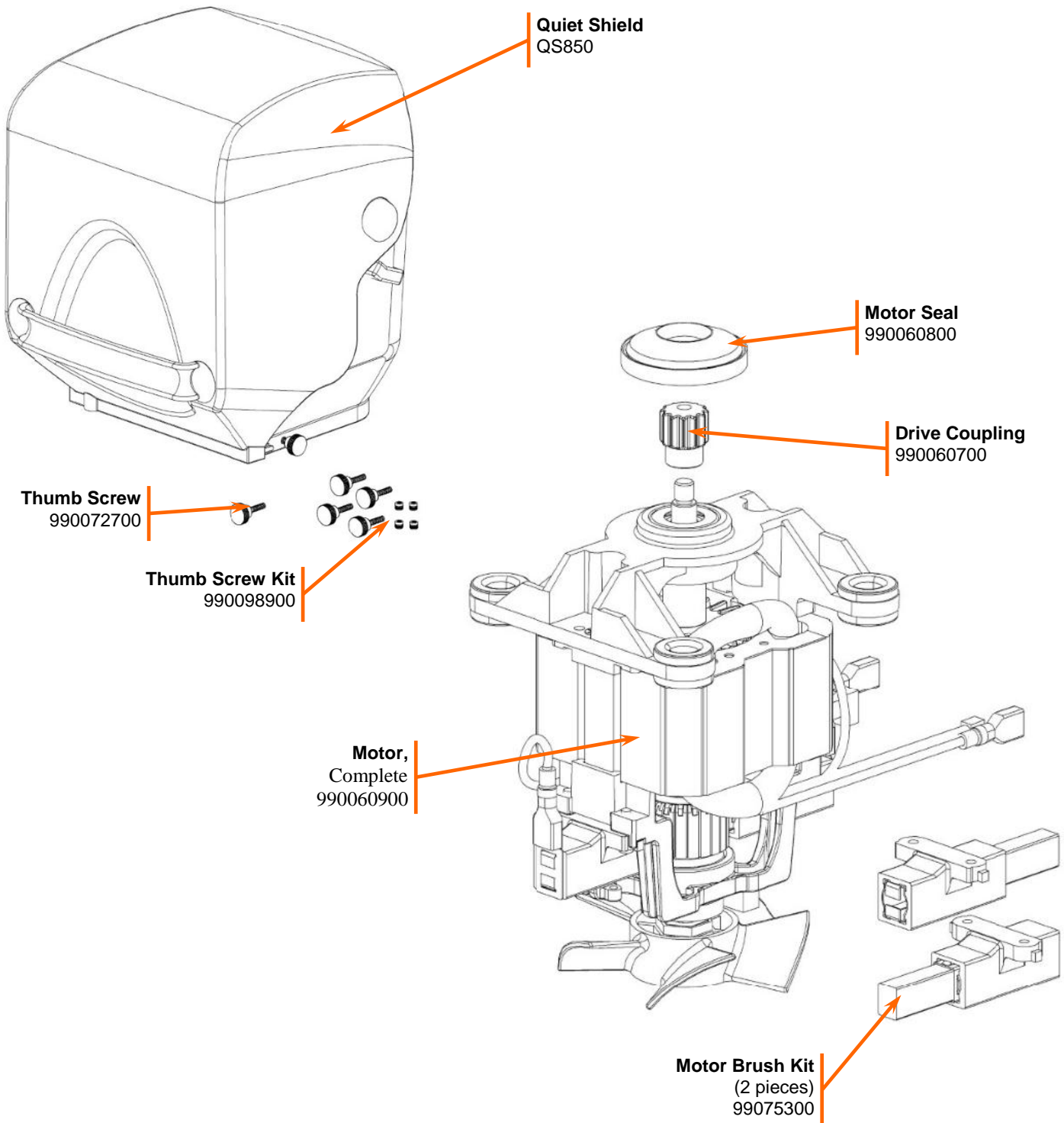



 Hamilton Beach 4421 Waterfront Drive Glen Allen, VA 23060	Revision Description:		Production Release.				
	Request Number:	DOC6538	Revision Date:	2/18/16	Approved by:	DOC6538	
	Issue Code(s):	SP, CS	Page:	1 of 4	Document #:	540090700	Rev:

Parts and Accessories Diagram

Model HBH850

PROPRIETARY RIGHTS NOTICE This document and all information contained within it is the property of Hamilton Beach Brands, Inc. (HBB). It is confidential and proprietary and has been provided to you for a limited purpose. It must be returned or destroyed upon request. Disclosure, reproduction or use of this document and any information contained within it, in full or in part, for any purpose is forbidden without the prior written consent of HBB. No photographs may be taken of any article fabricated or assembled from this document without the prior written consent of HBB.

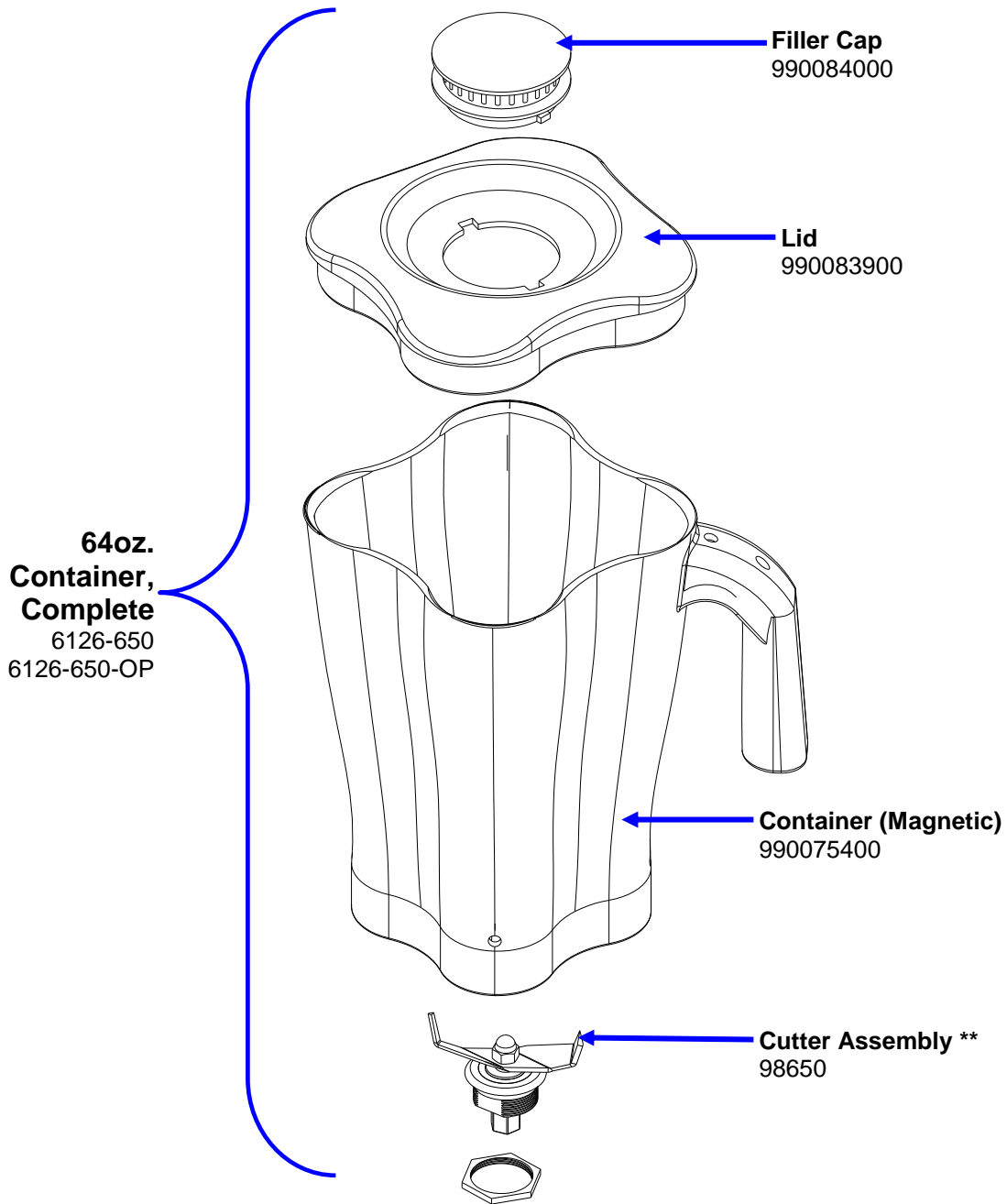


 <p>Hamilton Beach 4421 Waterfront Drive Glen Allen, VA 23060</p>	Revision Description:	Production Release.					
	Request Number:	DOC6538	Revision Date:	2/18/16	Approved by:	DOC6538	
	Issue Code(s):	SP, CS	Page:	2 of 4	Document #:	540090700	Rev:

Parts and Accessories Diagram

Model HBH850


PROPRIETARY RIGHTS NOTICE This document and all information contained within it is the property of Hamilton Beach Brands, Inc. (HBB). It is confidential and proprietary and has been provided to you for a limited purpose. It must be returned or destroyed upon request. Disclosure, reproduction or use of this document and any information contained within it, in full or in part, for any purpose is forbidden without the prior written consent of HBB. No photographs may be taken of any article fabricated or assembled from this document without the prior written consent of HBB.



Notes:

*Complete Container Includes: Cutter Assembly, Container, Lid and Filler Cap

**Cutter Assembly Includes: Blade, Lock Washer, Hex Nut, Drive Coupling Attachment and Cutter Bearing Assembly.

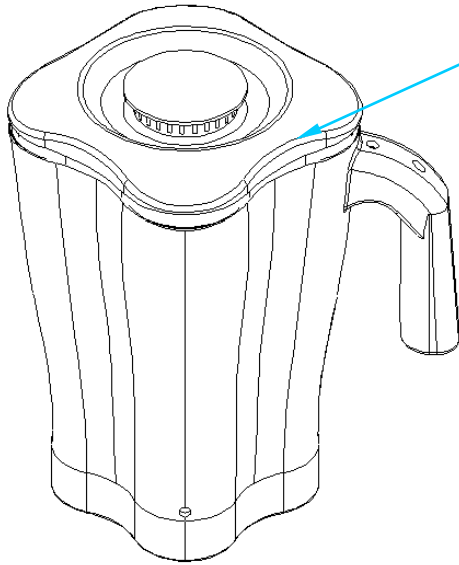
 4421 Waterfront Drive Glen Allen, VA 23060	Revision Description:		Production Release.					
	Request Number:	DOC6538	Revision Date:	2/18/16	Approved by:	DOC6538		
	Issue Code(s):	SP, CS	Page:	3 of 4	Document #:	540090700	Rev:	A

Parts and Accessories Diagram

Model HBH850

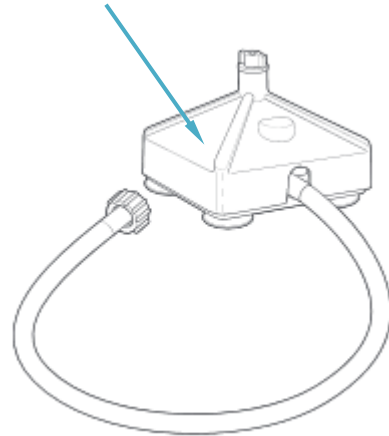
PROPRIETARY RIGHTS NOTICE This document and all information contained within it is the property of Hamilton Beach Brands, Inc. (HBB). It is confidential and proprietary and has been provided to you for a limited purpose. It must be returned or destroyed upon request. Disclosure, reproduction or use of this document and any information contained within it, in full or in part, for any purpose is forbidden without the prior written consent of HBB. No photographs may be taken of any article fabricated or assembled from this document without the prior written consent of HBB.


Accessories



48oz Container Complete*
6126-600

Container Washer
BCR100



 4421 Waterfront Drive Glen Allen, VA 23060	Revision Description:		Production Release.												
	Request Number:		DOC6538		Revision Date:		2/18/16		Approved by:		DOC6538				
	Issue Code(s):		SP, CS		Page:		4 of 4		Document #:		540090700		Rev:		A