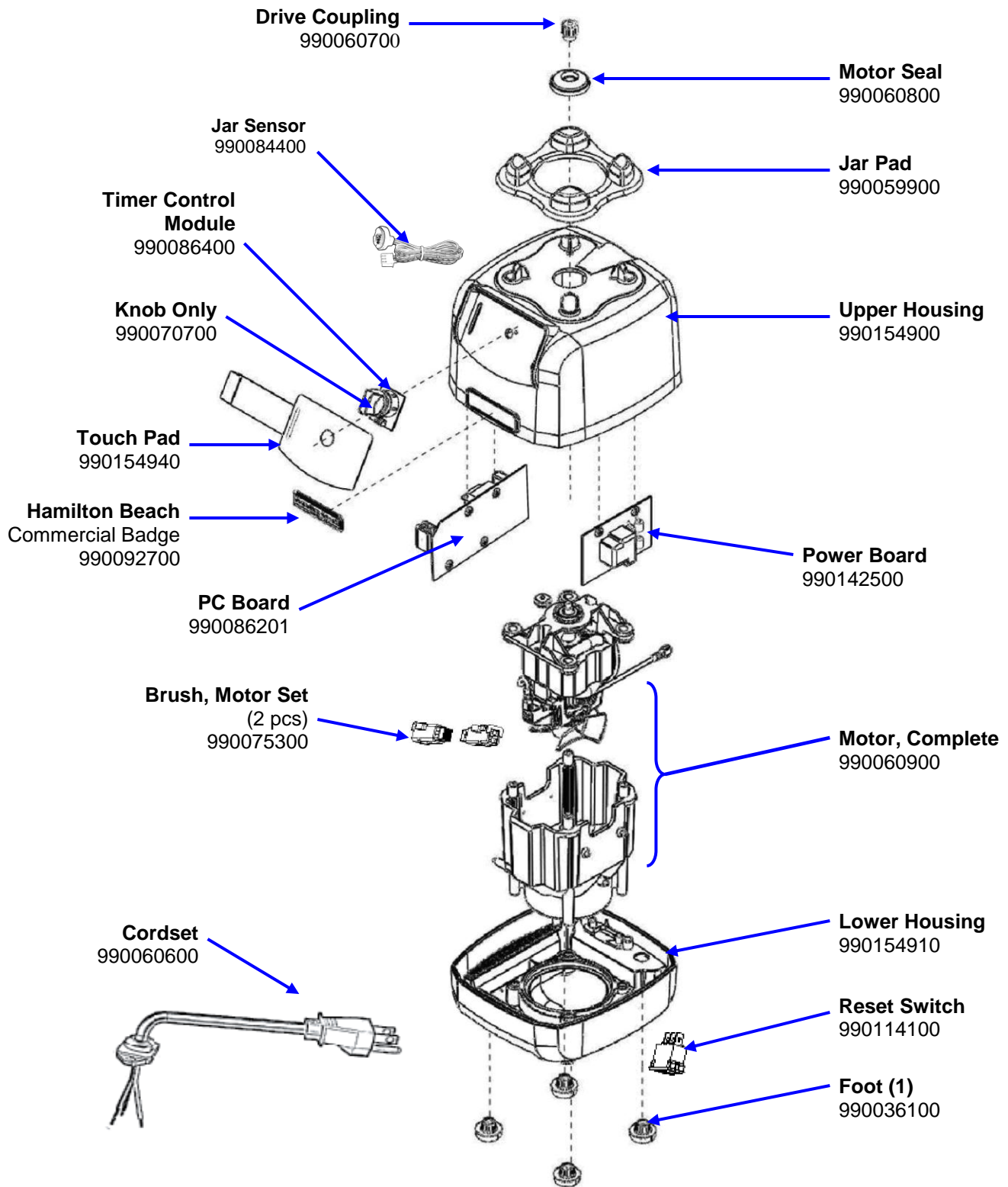



Parts and Accessories Diagram HBH650

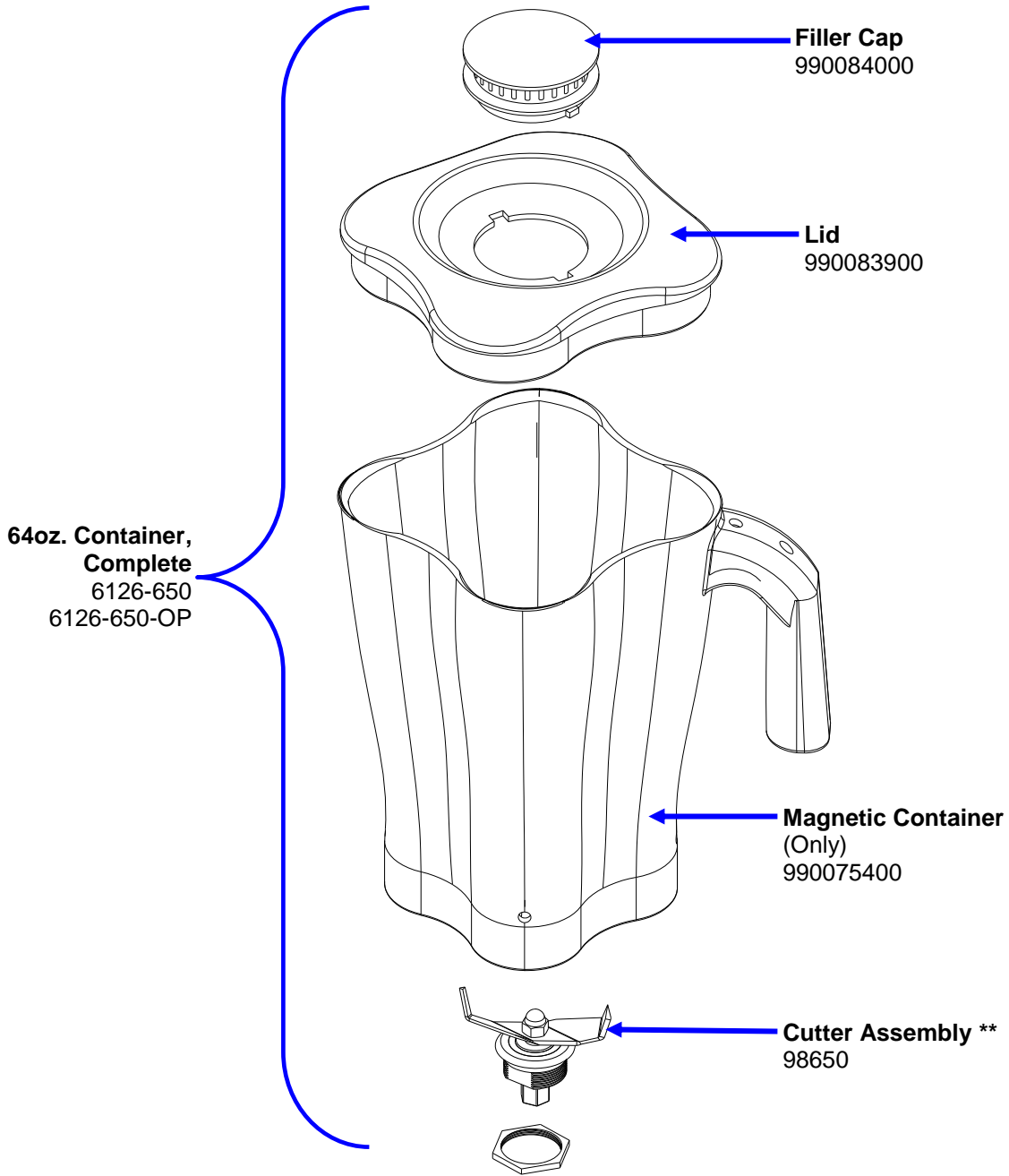
PROPRIETARY RIGHTS NOTICE This document and all information contained within it is the property of Hamilton Beach Brands, Inc. (HBB). It is confidential and proprietary and has been provided to you for a limited purpose. It must be returned or destroyed upon request. Disclosure, reproduction or use of this document and any information contained within it, in full or in part, for any purpose is forbidden without the prior written consent of HBB. No photographs may be taken of any article fabricated or assembled from this document without the prior written consent of HBB.



 Hamilton Beach 4421 Waterfront Drive Glen Allen, VA 23060	Revision Description:	Production Release.					
	Request Number:	DOC6535	Revision Date:	2/16/16	Approved by:	DOC6535	
	Issue Code(s):	L	Page:	1 of 3	Document #:	540090400	Rev:

Parts and Accessories Diagram HBH650


PROPRIETARY RIGHTS NOTICE This document and all information contained within it is the property of Hamilton Beach Brands, Inc. (HBB). It is confidential and proprietary and has been provided to you for a limited purpose. It must be returned or destroyed upon request. Disclosure, reproduction or use of this document and any information contained within it, in full or in part, for any purpose is forbidden without the prior written consent of HBB. No photographs may be taken of any article fabricated or assembled from this document without the prior written consent of HBB.



Notes:

*Complete Container Includes: Cutter Assembly, Container, Lid and Filler Cap

**Cutter Assembly Includes: Blade, Lock Washer, Hex Nut, Drive Coupling Attachment and Cutter Bearing Assembly.

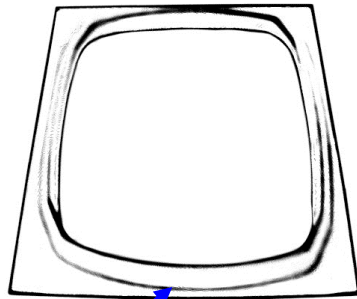
 Hamilton Beach 4421 Waterfront Drive Glen Allen, VA 23060	Revision Description:	Production Release.					
	Request Number:	DOC6535	Revision Date:	2/16/16	Approved by:	DOC6535	
	Issue Code(s):	L	Page:	2 of 3	Document #:	540090400	Rev:

Parts and Accessories Diagram

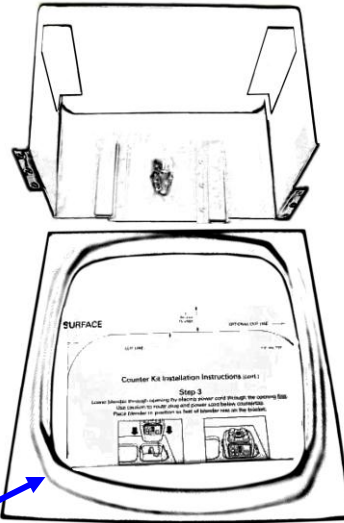
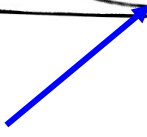
HBH650

PROPRIETARY RIGHTS NOTICE This document and all information contained within it is the property of Hamilton Beach Brands, Inc. (HBB). It is confidential and proprietary and has been provided to you for a limited purpose. It must be returned or destroyed upon request. Disclosure, reproduction or use of this document and any information contained within it, in full or in part, for any purpose is forbidden without the prior written consent of HBB. No photographs may be taken of any article fabricated or assembled from this document without the prior written consent of HBB.

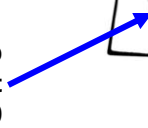
ACCESSORIES



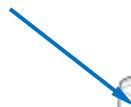
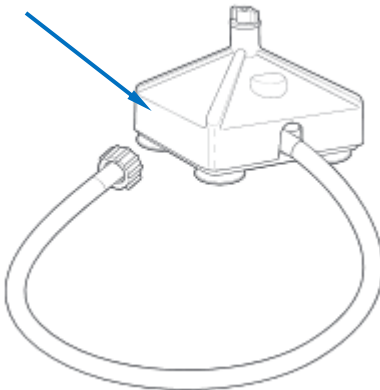
Counter Gasket
990126900



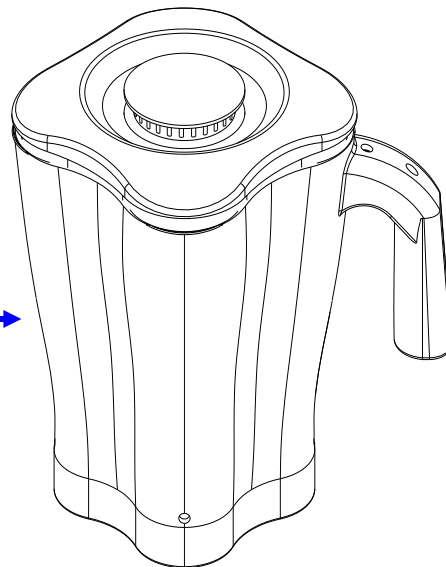
Counter Top Mounting Kit
CK650




Container Washer
BCR100



48oz. Container Complete*
6126-600



 4421 Waterfront Drive Glen Allen, VA 23060	Revision Description:	Production Release.					
	Request Number:	DOC6535	Revision Date:	2/16/16	Approved by:	DOC6535	
	Issue Code(s):	L	Page:	3 of 3	Document #:	540090400	Rev: