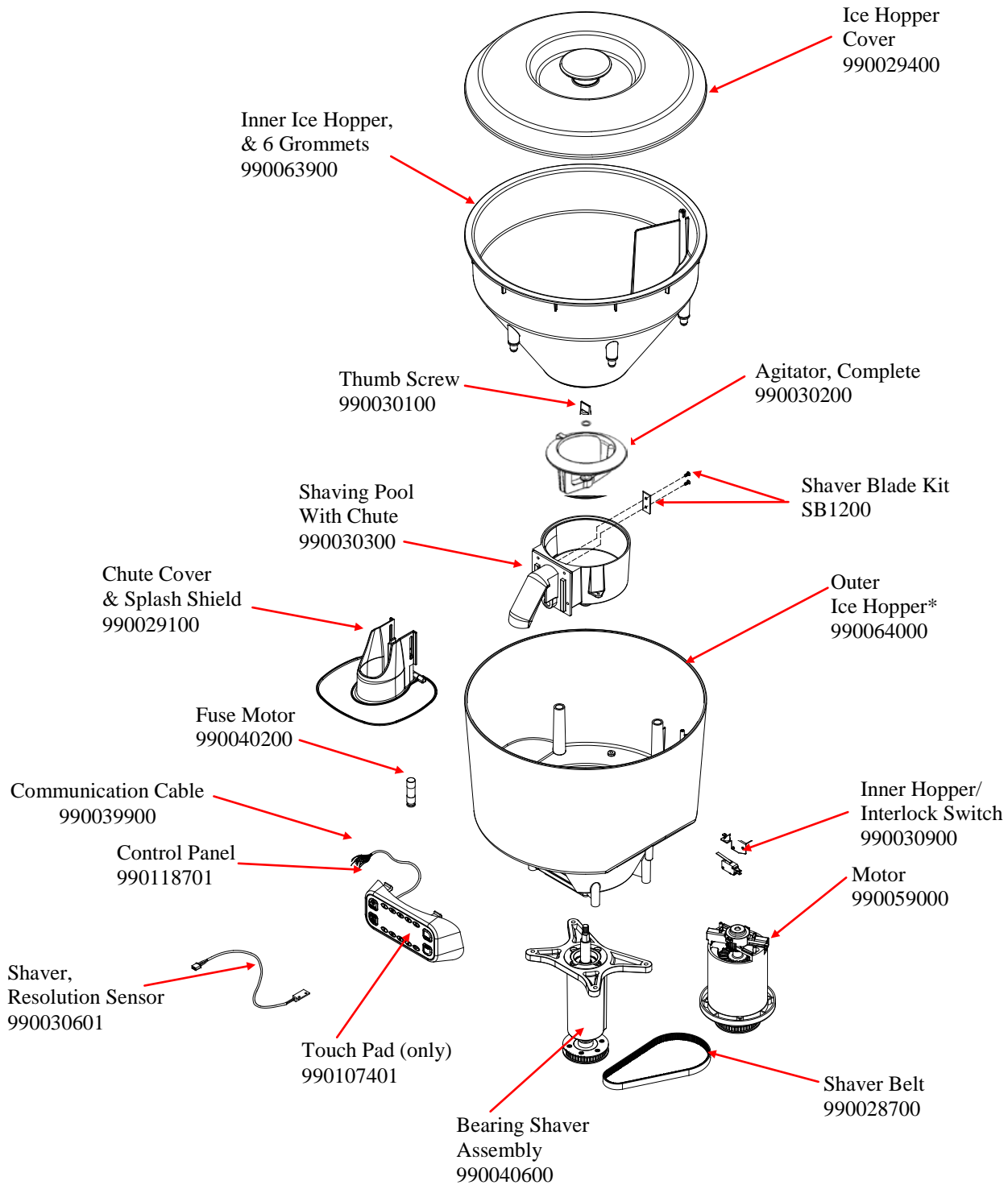



Parts and Accessories Diagram

Model HBS1400

PROPRIETARY RIGHTS NOTICE This document and all information contained within it is the property of Hamilton Beach Brands, Inc. (HBB). It is confidential and proprietary and has been provided to you for a limited purpose. It must be returned or destroyed upon request. Disclosure, reproduction or use of this document and any information contained within it, in full or in part, for any purpose is forbidden without the prior written consent of HBB. No photographs may be taken of any article fabricated or assembled from this document without the prior written consent of HBB.

REPLACEMENT PARTS

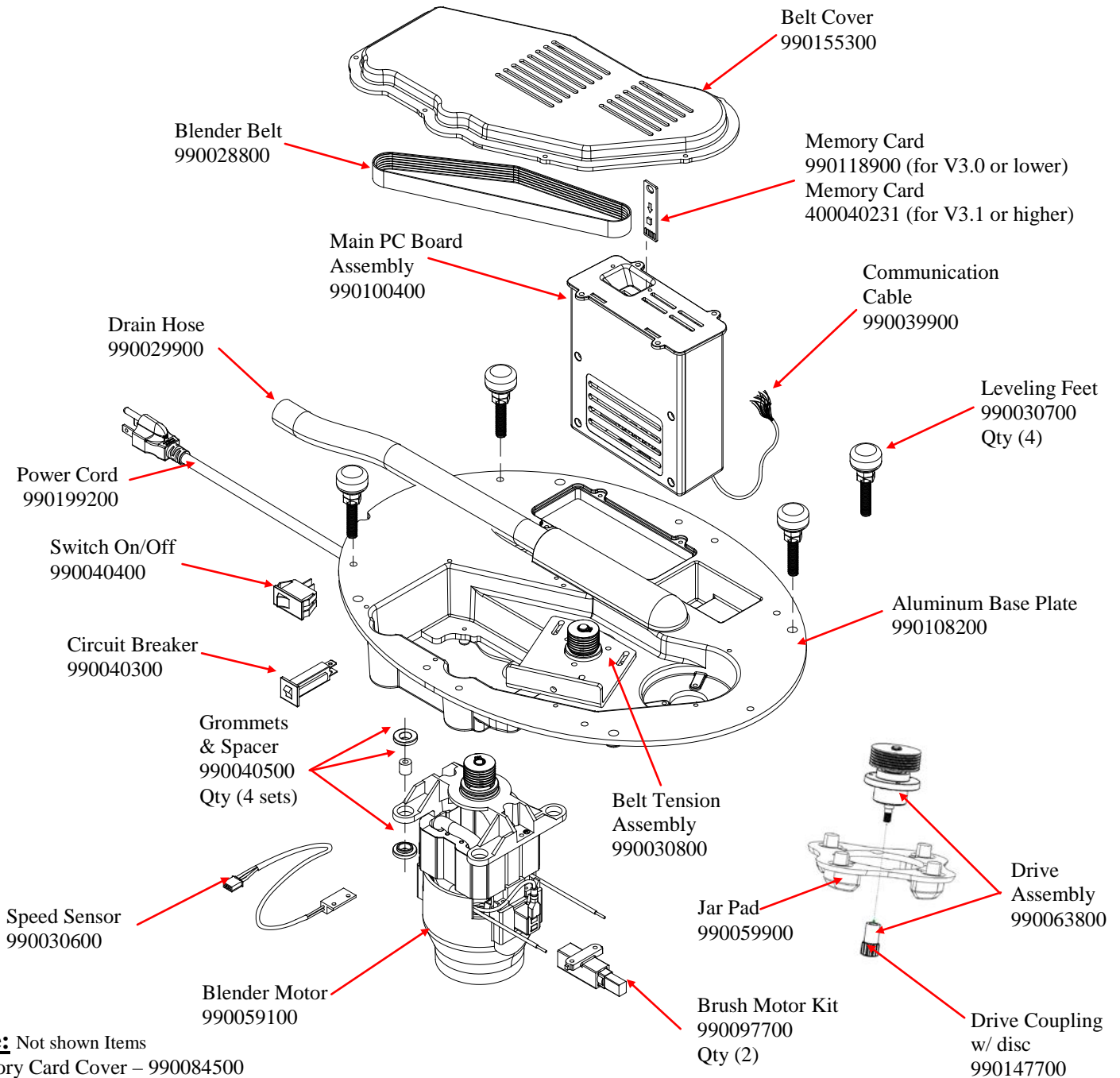


 Hamilton Beach 4421 Waterfront Drive Glen Allen, VA 23060	Revision Description:	Production Release					
	Request Number:	DOC6511	Revision Date:	2/17/16	Approved by:	DOC6511	
	Issue Code(s):	L	Page:	1 of 4	Document #:	540088600	Rev:

Parts and Accessories Diagram

Model HBS1400

PROPRIETARY RIGHTS NOTICE This document and all information contained within it is the property of Hamilton Beach Brands, Inc. (HBB). It is confidential and proprietary and has been provided to you for a limited purpose. It must be returned or destroyed upon request. Disclosure, reproduction or use of this document and any information contained within it, in full or in part, for any purpose is forbidden without the prior written consent of HBB. No photographs may be taken of any article fabricated or assembled from this document without the prior written consent of HBB.



Note: Not shown Items

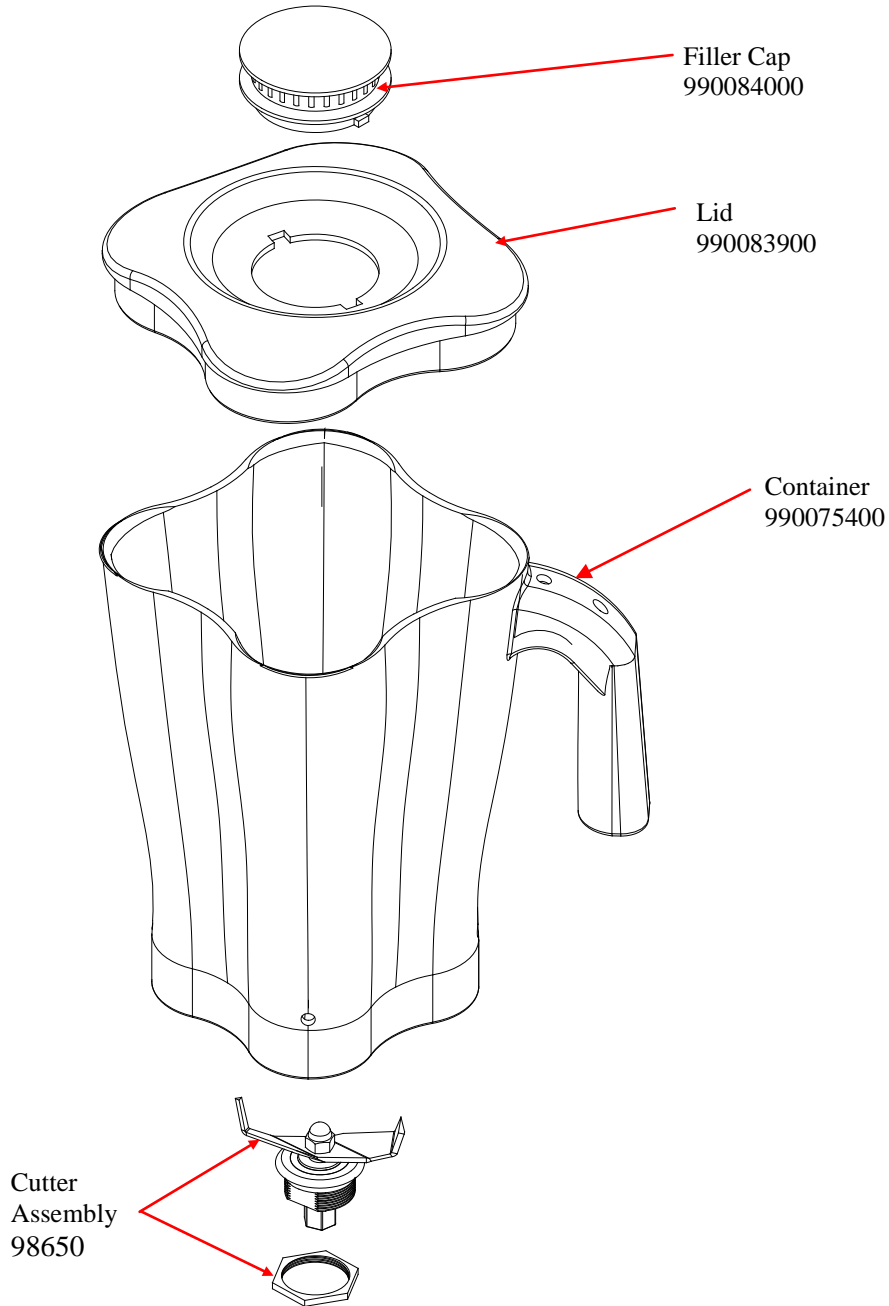
- Memory Card Cover – 990084500
- Drain Elbow Tube – 990104900
- Drain Hose Extension – 990105300
- Drain Tube with Sensor – 990109300
- Blender Base Plate – 990110900
- Thermistor - 990136700


 Hamilton Beach 4421 Waterfront Drive Glen Allen, VA 23060	Revision Description:		Production Release			
	Request Number:	DOC6511	Revision Date:	2/17/16	Approved by:	DOC6511
	Issue Code(s):	L	Page:	2 of 4	Document #:	540088600
					Rev:	A

Parts and Accessories Diagram

Model HBS1400

PROPRIETARY RIGHTS NOTICE This document and all information contained within it is the property of Hamilton Beach Brands, Inc. (HBB). It is confidential and proprietary and has been provided to you for a limited purpose. It must be returned or destroyed upon request. Disclosure, reproduction or use of this document and any information contained within it, in full or in part, for any purpose is forbidden without the prior written consent of HBB. No photographs may be taken of any article fabricated or assembled from this document without the prior written consent of HBB.



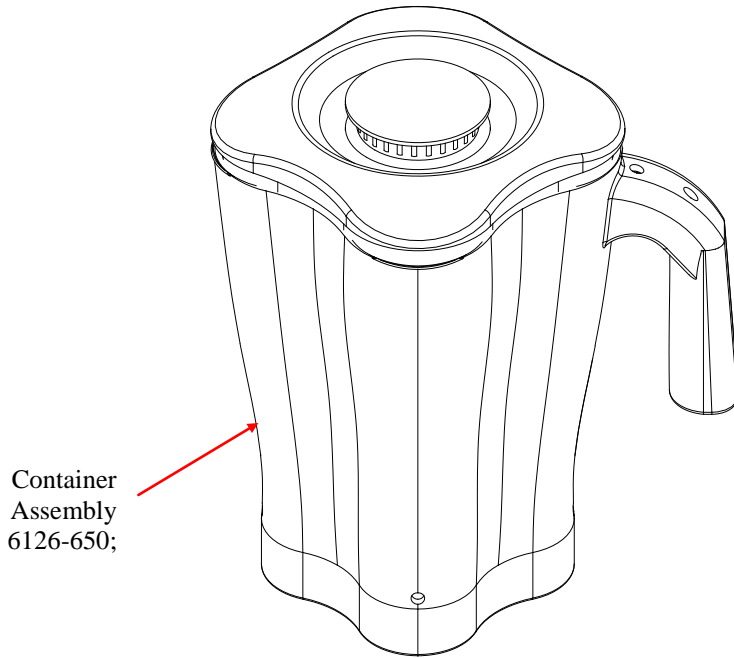
 <p>Hamilton Beach 4421 Waterfront Drive Glen Allen, VA 23060</p>	Revision Description:		Production Release										
	Request Number:		DOC6511		Revision Date:		2/17/16		Approved by:		DOC6511		
	Issue Code(s):		L		Page:		3 of 4		Document #:		540088600		Rev:

Parts and Accessories Diagram

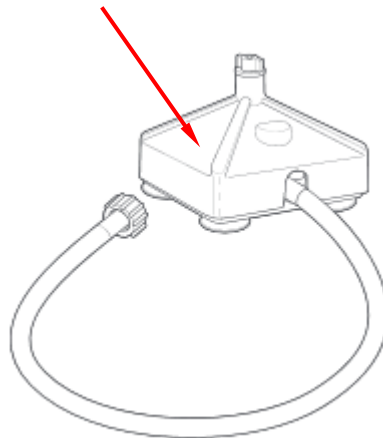
Model HBS1400

PROPRIETARY RIGHTS NOTICE This document and all information contained within it is the property of Hamilton Beach Brands, Inc. (HBB). It is confidential and proprietary and has been provided to you for a limited purpose. It must be returned or destroyed upon request. Disclosure, reproduction or use of this document and any information contained within it, in full or in part, for any purpose is forbidden without the prior written consent of HBB. No photographs may be taken of any article fabricated or assembled from this document without the prior written consent of HBB.

ACCESSORIES



**Container Washer
BCR100**



4421 Waterfront Drive Glen Allen, VA 23060	Revision Description:		Production Release					
	Request Number:	DOC6511	Revision Date:	2/17/16	Approved by:	DOC6511		
	Issue Code(s):	L	Page:	4 of 4	Document #:	540088600	Rev:	A