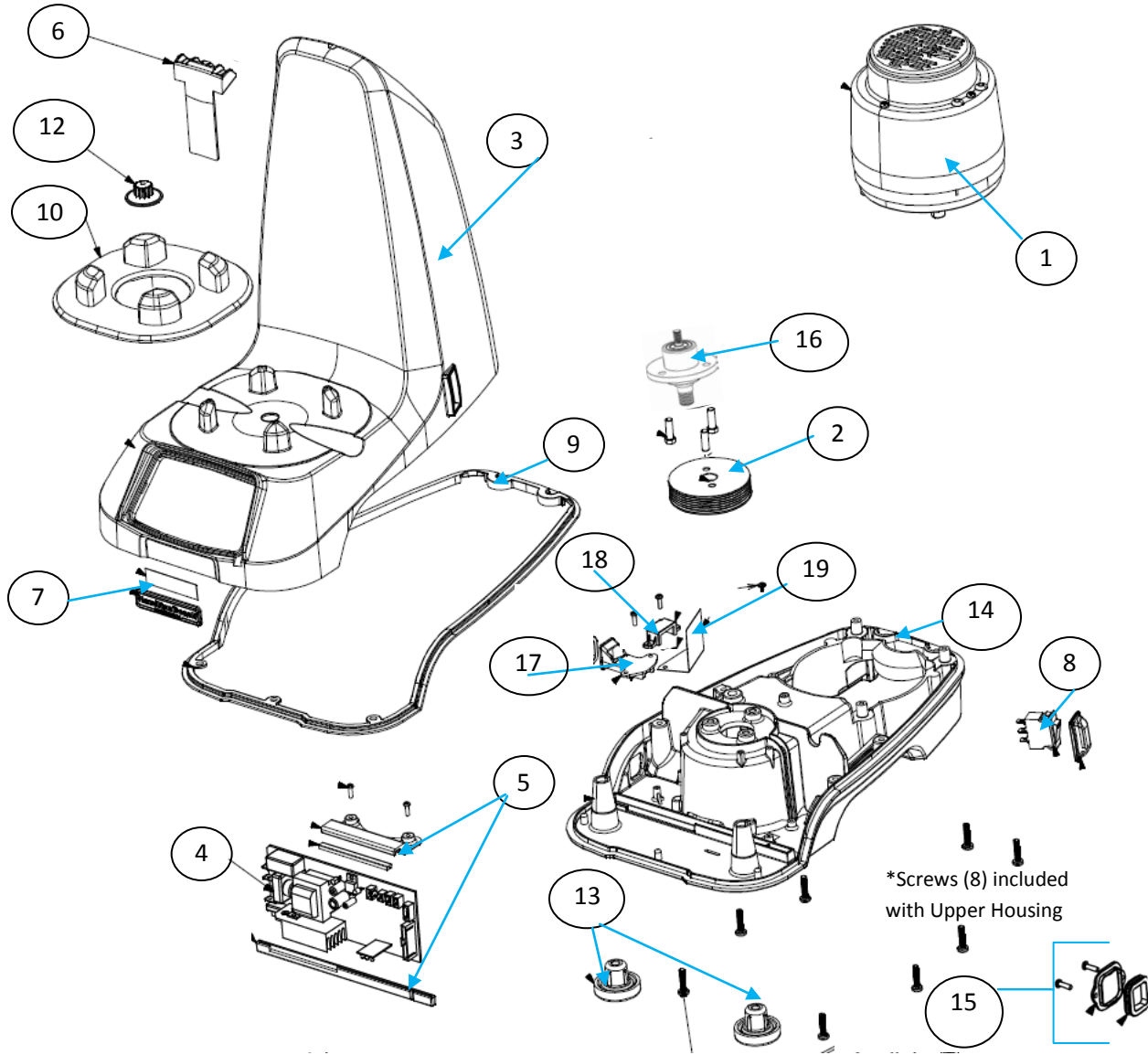


Parts & Accessories Diagram

PROPRIETARY RIGHTS NOTICE This document and all information contained within it is the property of Hamilton Beach Brands, Inc. (HBB). It is confidential and proprietary and has been provided to you for a limited purpose. It must be returned or destroyed upon request. Disclosure, reproduction or use of this document and any information contained within it, in full or in part, for any purpose is forbidden without the prior written consent of HBB. No photographs may be taken of any article fabricated or assembled from this document without the prior written consent of HBB.

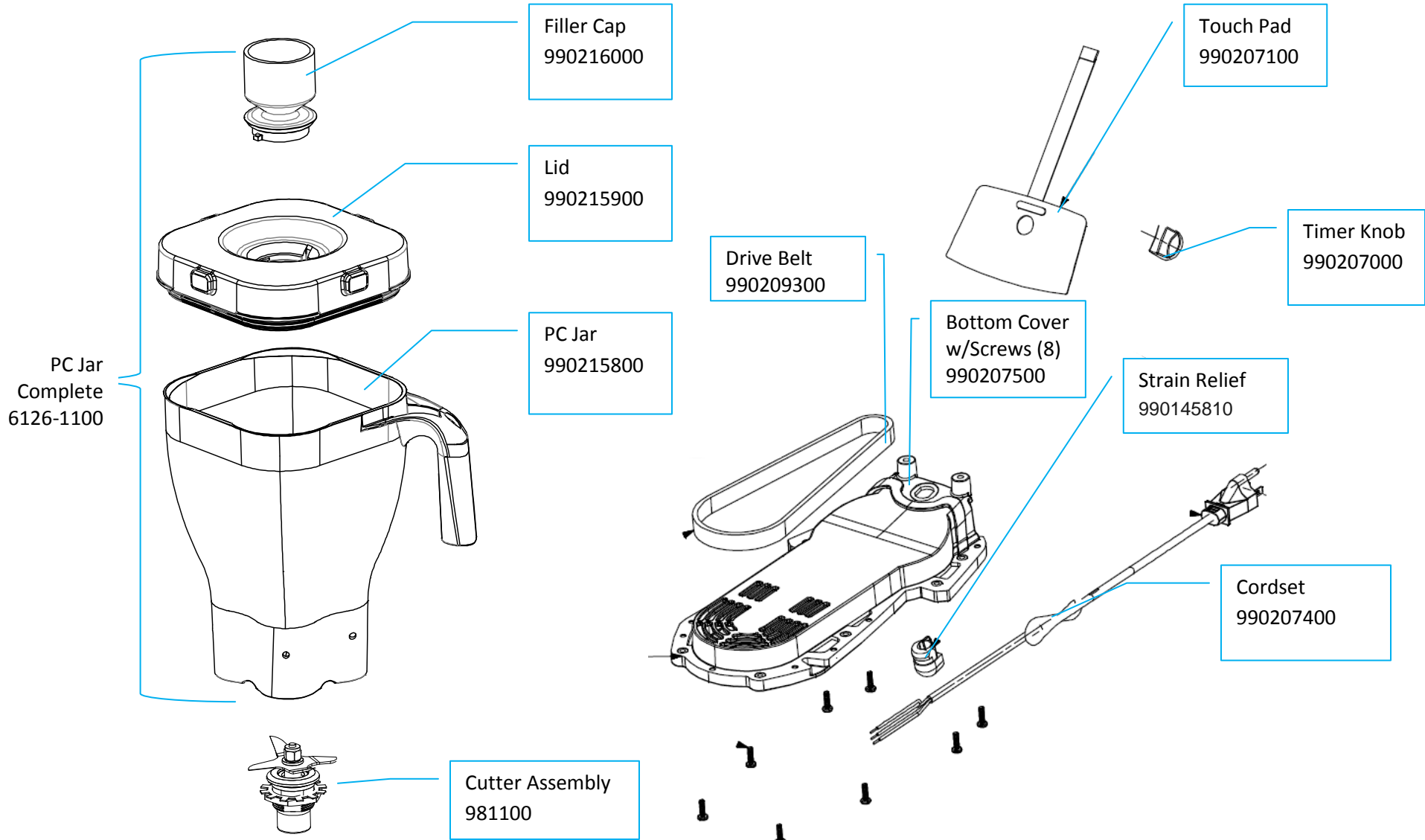



| Bub. No. | Part Number | Description |
|----------|-------------|---------------------|
| 1 | 990206000 | Motor Assembly |
| 2 | 990206500 | Output Pulley |
| 3 | 990206600 | Upper Housing |
| 4 | 990206200 | Main PCBA |
| 5 | 990206100 | PCBA Mount |
| 6 | 990206300 | Hall Sensor Assy. |
| 7 | 990092700 | Commercial Badge |
| 8 | 990207300 | Breaker Switch |
| 9 | 990206800 | Upper Housing Seal |
| 10 | 990206700 | Jar Pad |
| 11 | 990127200 | Memory Card Board |
| 12 | 990147700 | Drive Coupling |
| 13 | 990207600 | Foot (2) |
| 14 | 990206900 | Lower Housing |
| 15 | 990207200 | Memory Card Cover |
| 16 | 990206400 | Output Assembly |
| 17 | 990209500 | Memory Card Support |
| 18 | 990209600 | Bracket |
| 19 | 990209700 | Card Insulation |

| | | | | | | |
|---|-----------------------|---------------------|----------------|---------|--------------|-----------|
| 4421 Waterfront Drive Glen Allen, VA 23060 | Revision Description: | Production Release. | | | | |
| | Request Number: | DOC6133 | Revision Date: | 9/15/15 | Approved by: | DOC6133 |
| | Issue Code(s): | | Page: | 1 of 2 | Document #: | 540088300 |
| | | | | | Rev: | A |

Parts & Accessories Diagram

PROPRIETARY RIGHTS NOTICE This document and all information contained within it is the property of Hamilton Beach Brands, Inc. (HBB). It is confidential and proprietary and has been provided to you for a limited purpose. It must be returned or destroyed upon request. Disclosure, reproduction or use of this document and any information contained within it, in full or in part, for any purpose is forbidden without the prior written consent of HBB. No photographs may be taken of any article fabricated or assembled from this document without the prior written consent of HBB.



| | | | | | | |
|--|-----------------------|---------------------|----------------|---------|--------------|-----------|
|  4421 Waterfront Drive Glen Allen, VA 23060 | Revision Description: | Production Release. | | | | |
| | Request Number: | DOC6133 | Revision Date: | 9/15/15 | Approved by: | DOC6133 |
| | Issue Code(s): | | Page: | 2 of 2 | Document #: | 540088300 |
| | | | | | Rev: | A |