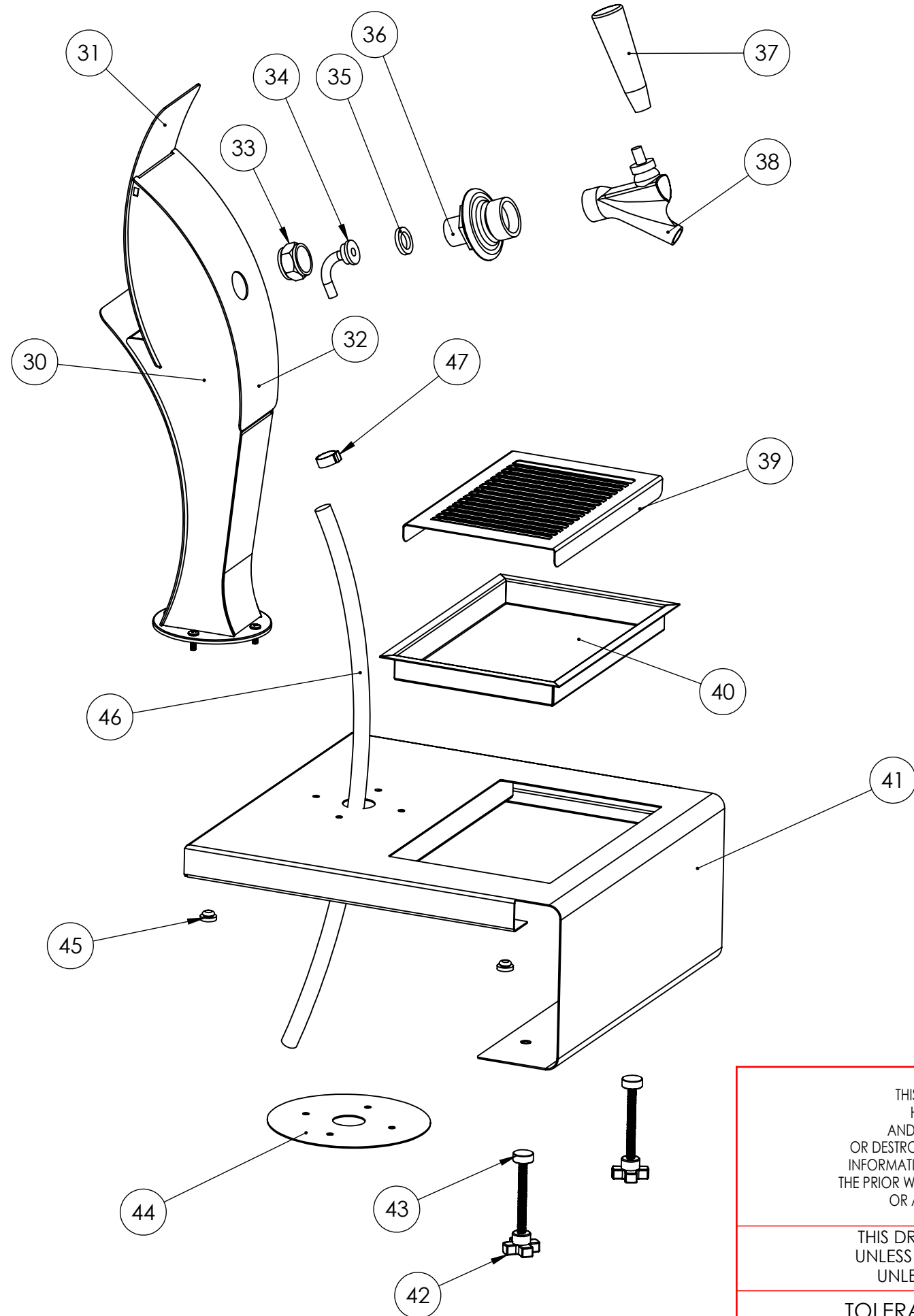


ITEM NO.	DESCRIPTION	PART NUMBER	QTY
1	CABINET ENCLOSURE	290050000	1
2	CO2 ATTACHMENT COUPLER	290061400	1
3	SPIRITS SHUTOFF VALVE	290054000	1
4	HINGE ASSEMBLY- FRONT DOOR	290062500	2
5	ELBOW FITTING - 3/8" BARB - 3/8" NPT	290054400	1
6	HOSE CLAMP - 17 mm	290058600	
7	TUBING - 3/8" INSIDE DIAMETER 5/8" OUTSIDE DIAMETER-TYGON B-44-3 SECURE WITH 17 mm HOSE CLAMP	290063100	15"
8	CO2 PRESSURE REGULATOR & GAUGE	290052200	1
9	QCD COUPLING - BAG IN BOX CONNECTOR	290054500	1
10	DRAWER SLIDE (LEFT AND RIGHT)	290054900	1
11	FOOT ASSEMBLY	290061500	4
12	SIDE ACCESS DOOR	290050200	1
13	PUMP	290053300	2
14	SPIRITS FLOW CONTROL ORIFICE	290053500	1
15	ELBOW FITTING - 1/4" BARB - 1/4" NPT	290053900	1
16	FRONT DOOR ASSEMBLY	290061600	1
17	MAGNET ASSEMBLY	290062400	1
18	DOOR HANDLE ASSEMBLY	290062300	1
19	HAMILTON BEACH COMMERCIAL BADGE	290061000	1
20	CABINET ASSEMBLY - INCLUDES ITEM 1 (CABINET ENCLOSURE), ITEM 12 (SIDE ACCESS DOOR), AND ITEM 21 (PUMP ACCESS COVER)	290050001	1
21	PUMP ACCESS COVER	290050100	1

<p>THIS DOCUMENT (AND ALL INFORMATION CONTAINED WITHIN IT) IS THE PROPERTY OF HAMILTON BEACH BRANDS, INC. ("HBB"). IT IS CONFIDENTIAL AND PROPRIETARY AND HAS BEEN PROVIDED TO YOU ONLY FOR A LIMITED PURPOSE. IT MUST BE RETURNED OR DESTROYED UPON REQUEST. DISCLOSURE, REPRODUCTION OR USE OF THIS DOCUMENT AND ANY INFORMATION CONTAINED WITHIN IT, IN FULL OR IN PART, FOR ANY PURPOSE IS FORBIDDEN WITHOUT THE PRIOR WRITTEN CONSENT OF HBB. NO PHOTOGRAPHS MAY BE TAKEN OF ANY ARTICLE FABRICATED OR ASSEMBLED FROM THIS DOCUMENT WITHOUT THE PRIOR WRITTEN CONSENT OF HBB.</p>		CREATE CARE PART FOR PACKAGING ASSY (290064900) BUBBLE 110 - JRG 2/18/15	
		REQUEST	DESCRIPTION
<p>THIS DRAWING CONFORMS WITH ASME Y14.5M-1994 STANDARDS. UNLESS OTHERWISE SPECIFIED, ALL DIMENSIONS ARE IN INCHES. UNLESS OTHERWISE SPECIFIED, PROJECTION IS THIRD ANGLE.</p>		Hamilton Beach Brands, Inc. 4421 WATERFRONT DRIVE GLEN ALLEN, VA. 23060	
		SERVICE PARTS ASSEMBLY	
<p>TOLERANCES (UNLESS OTHERWISE SPECIFIED)</p>		COT2000	
		SCALE: 1:8	REVISION
.XX ±.020	.XXX ±.005	540085910	D
ANGLES ± 1/2°		APPROVAL:	SHEET 1 OF 5

Notification Code:



ITEM NO.	DESCRIPTION	PART NUMBER	QTY
30	TAP TOWER ASSEMBLY	290051100	1
31	TAP TOWER COVER - REAR UPPER	290051600	1
32	TAP TOWER COVER - FRONT	290051700	1
33	NUT	290055800	1
34	ELBOW	290055600	1
35	WASHER	290055700	1
36	SHANK	290055300	1
37	HANDLE	290055500	1
38	FAUCET	290055400	1
39	DRIP TRAY GRATE	290055200	1
40	DRIP TRAY	290055100	1
41	TOWER BASE	290050900	1
42	THUMB SCREW	290058100	2
43	THUMB SCREW PAD	290058200	2
44	BACKER PLATE	290051800	1
45	BUMPER	290055000	4
46	TUBING - 1/4" INSIDE DIAMETER 1/2" OUTSIDE DIAMETER-TYGON B-44-3 SECURE WITH 14.5 mm HOSE CLAMP	290063900	106"
47	HOSE CLAMP - 14.5 mm	290058500	

THIS DOCUMENT (AND ALL INFORMATION CONTAINED WITHIN IT) IS THE PROPERTY OF HAMILTON BEACH BRANDS, INC. ("HBB"). IT IS CONFIDENTIAL AND PROPRIETARY AND HAS BEEN PROVIDED TO YOU ONLY FOR A LIMITED PURPOSE. IT MUST BE RETURNED OR DESTROYED UPON REQUEST. DISCLOSURE, REPRODUCTION OR USE OF THIS DOCUMENT AND ANY INFORMATION CONTAINED WITHIN IT, IN FULL OR IN PART, FOR ANY PURPOSE IS FORBIDDEN WITHOUT THE PRIOR WRITTEN CONSENT OF HBB. NO PHOTOGRAPHS MAY BE TAKEN OF ANY ARTICLE FABRICATED OR ASSEMBLED FROM THIS DOCUMENT WITHOUT THE PRIOR WRITTEN CONSENT OF HBB.

THIS DRAWING CONFORMS WITH ASME Y14.5M-1994 STANDARDS. UNLESS OTHERWISE SPECIFIED, ALL DIMENSIONS ARE IN MILLIMETERS. UNLESS OTHERWISE SPECIFIED, PROJECTION IS THIRD ANGLE.

TOLERANCES (UNLESS OTHERWISE SPECIFIED)

.XX ±.020 .XXX ±.005

ANGLES ± 1/2°

SCALE: 1:8

APPROVAL:

REQUEST

DESCRIPTION

Hamilton Beach Brands, Inc.
4421 WATERFRONT DRIVE GLEN ALLEN, VA. 23060

SERVICE PARTS ASSEMBLY

COT2000

DOCUMENT NUMBER

540085910

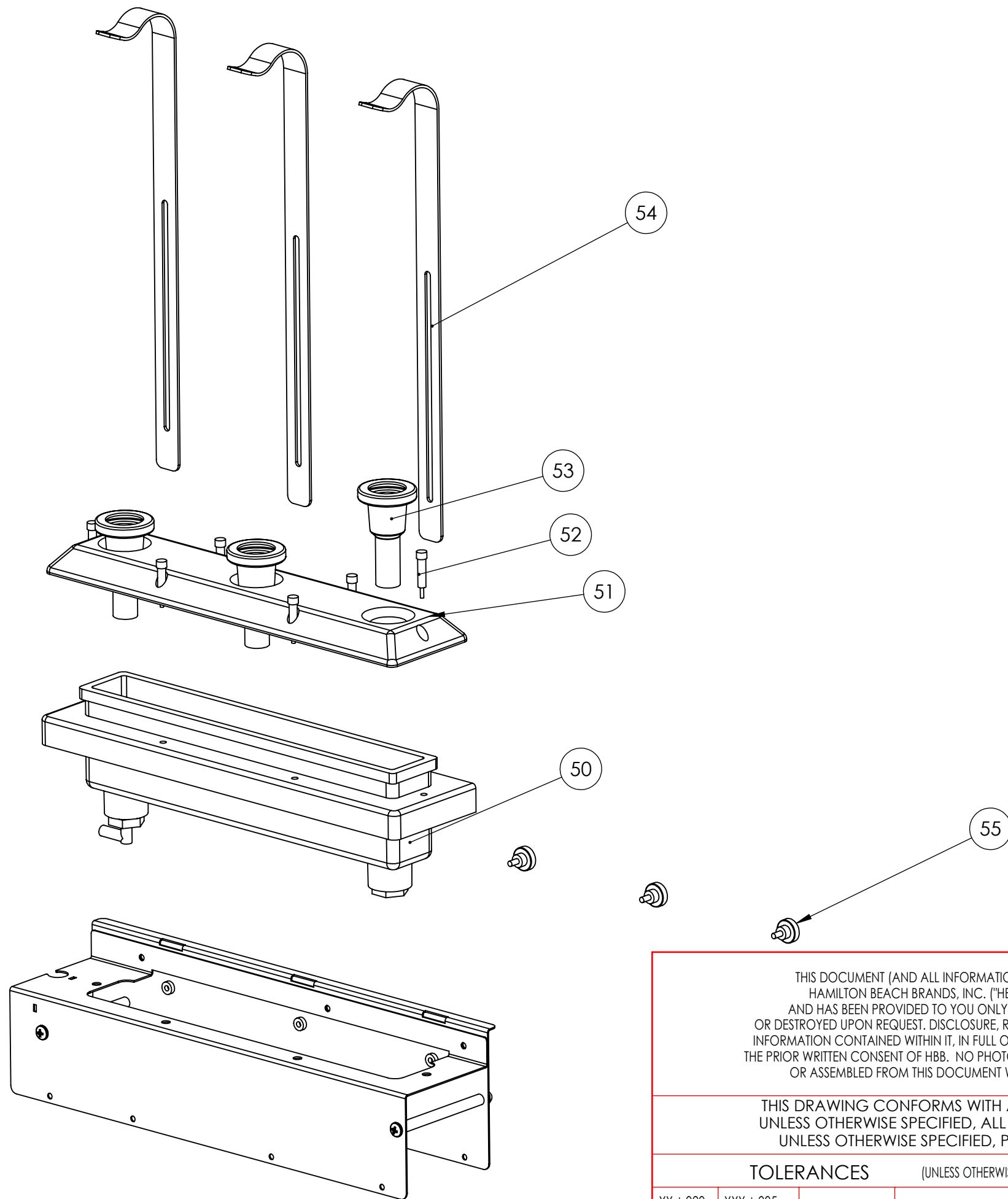
REVISION

D

SHEET OF

2 / 5

Notification Code:



ITEM NO.	DESCRIPTION	PART NUMBER	QTY
50	SPIRITS RESERVOIR BASE ASSEMBLY	290064000	1
51	SPIRITS RESERVOIR COVER	290061800	1
52	THUMB SCREW - SPIRITS RESERVOIR COVER	290062000	6
53	BOTTLE NOZZLE	290058700	3
54	BOTTLE HOLD DOWN	290050800	3
55	THUMB SCREW - BOTTLE HOLD DOWN	290062100	3

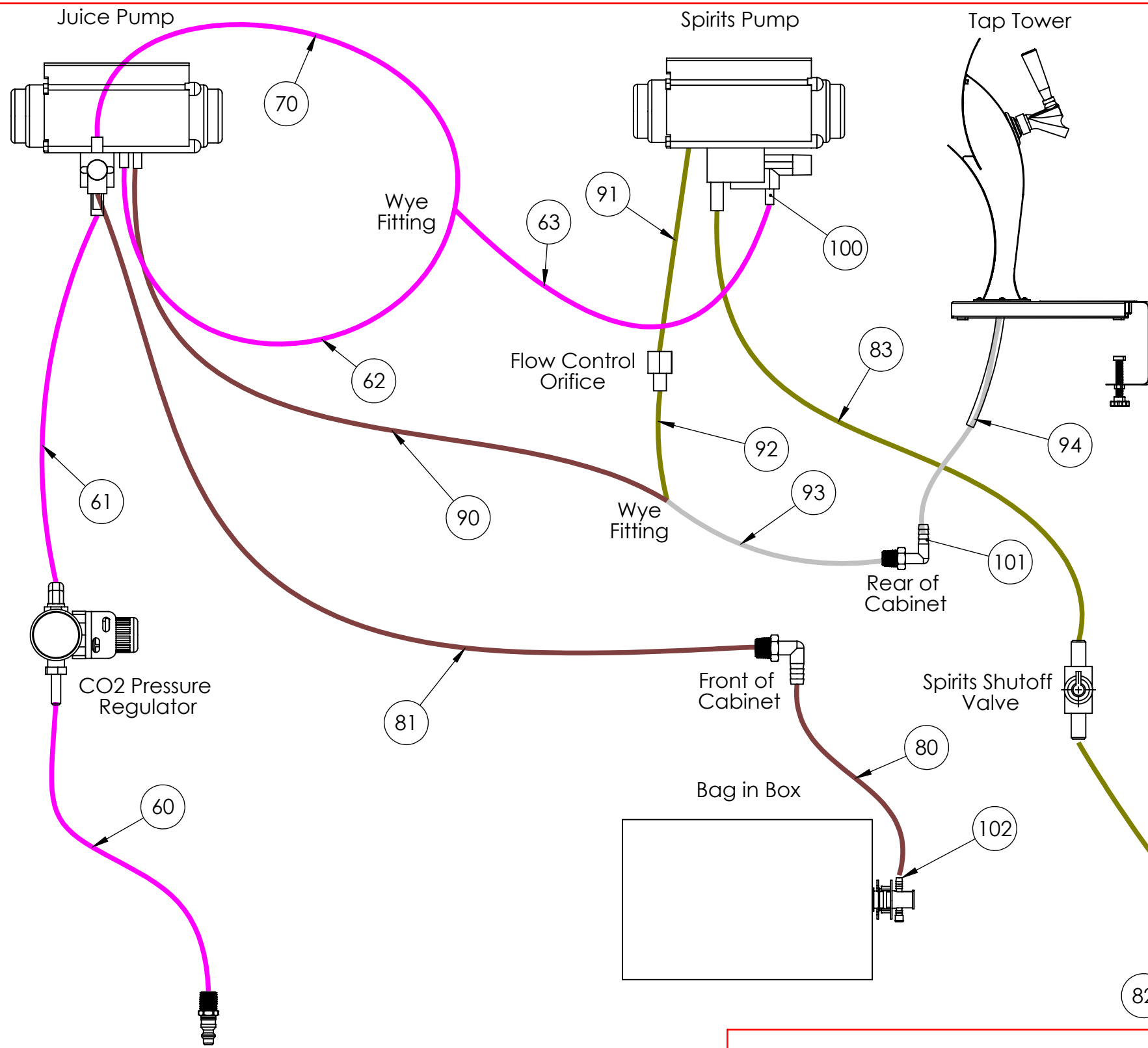
THIS DOCUMENT (AND ALL INFORMATION CONTAINED WITHIN IT) IS THE PROPERTY OF HAMILTON BEACH BRANDS, INC. ("HBB"). IT IS CONFIDENTIAL AND PROPRIETARY AND HAS BEEN PROVIDED TO YOU ONLY FOR A LIMITED PURPOSE. IT MUST BE RETURNED OR DESTROYED UPON REQUEST. DISCLOSURE, REPRODUCTION OR USE OF THIS DOCUMENT AND ANY INFORMATION CONTAINED WITHIN IT, IN FULL OR IN PART, FOR ANY PURPOSE IS FORBIDDEN WITHOUT THE PRIOR WRITTEN CONSENT OF HBB. NO PHOTOGRAPHS MAY BE TAKEN OF ANY ARTICLE FABRICATED OR ASSEMBLED FROM THIS DOCUMENT WITHOUT THE PRIOR WRITTEN CONSENT OF HBB.

THIS DRAWING CONFORMS WITH ASME Y14.5M-1994 STANDARDS. UNLESS OTHERWISE SPECIFIED, ALL DIMENSIONS ARE IN MILLIMETERS. UNLESS OTHERWISE SPECIFIED, PROJECTION IS THIRD ANGLE.

TOLERANCES (UNLESS OTHERWISE SPECIFIED)		SCALE: 1:8
.XX ±.020	.XXX ±.005	APPROVAL:
ANGLES ± 1/2°		

REQUEST	DESCRIPTION
Hamilton Beach Brands, Inc. 4421 WATERFRONT DRIVE GLEN ALLEN, VA. 23060	
SERVICE PARTS ASSEMBLY	
COT2000	
DOCUMENT NUMBER	REVISION
540085910	D
SHEET	OF
3	5

Notification Code:



ITEM NO.	HOSE LENGTH	PART NUMBER	DESCRIPTION
60	22"	290062600	TUBING - 1/4" INSIDE DIAMETER BRAIDED - 250 PSI MIN. SECURE WITH 12.3 mm HOSE CLAMP
61	8.5"	290062700	
62	11"	290062800	
63	11"	290062800	
70	11"	290063000	TUBING - 3/8" INSIDE DIAMETER BRAIDED - 250 PSI MIN. SECURE WITH 14.5 mm HOSE CLAMP
80	15"	290063100	TUBING - 3/8" INSIDE DIAMETER 5/8" OUTSIDE DIAMETER-TYGON B-44-3 SECURE WITH 17 mm HOSE CLAMP
81	20"	290063200	
82	42"	290063300	
83	24"	290063400	
90	12"	290063500	TUBING - 1/4" INSIDE DIAMETER 1/2" OUTSIDE DIAMETER-TYGON B-44-3 SECURE WITH 14.5 mm HOSE CLAMP
91	12"	290063500	
92	7.5"	290063700	
93	5.5"	290063800	
94	106"	290063900	
100		290056200	HOSE CLAMP - 12.3 mm
101		290058500	HOSE CLAMP - 14.5 mm
102		290058600	HOSE CLAMP - 17.0 mm

CO2 Attachment Coupler/Fitting at Rear of Cabinet

THIS DOCUMENT (AND ALL INFORMATION CONTAINED WITHIN IT) IS THE PROPERTY OF HAMILTON BEACH BRANDS, INC. ("HBB"). IT IS CONFIDENTIAL AND PROPRIETARY AND HAS BEEN PROVIDED TO YOU ONLY FOR A LIMITED PURPOSE. IT MUST BE RETURNED OR DESTROYED UPON REQUEST. DISCLOSURE, REPRODUCTION OR USE OF THIS DOCUMENT AND ANY INFORMATION CONTAINED WITHIN IT, IN FULL OR IN PART, FOR ANY PURPOSE IS FORBIDDEN WITHOUT THE PRIOR WRITTEN CONSENT OF HBB. NO PHOTOGRAPHS MAY BE TAKEN OF ANY ARTICLE FABRICATED OR ASSEMBLED FROM THIS DOCUMENT WITHOUT THE PRIOR WRITTEN CONSENT OF HBB.

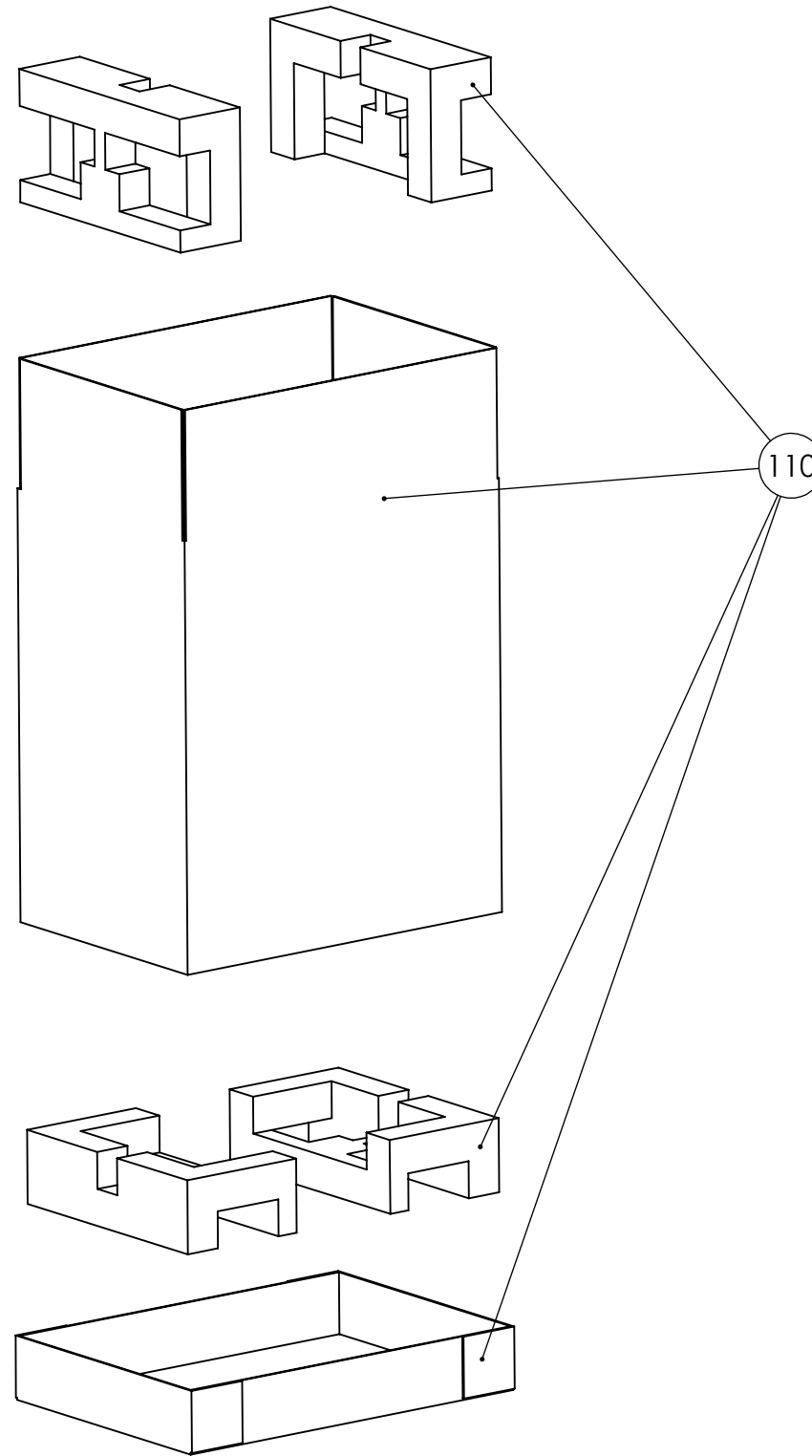
THIS DRAWING CONFORMS WITH ASME Y14.5M-1994 STANDARDS. UNLESS OTHERWISE SPECIFIED, ALL DIMENSIONS ARE IN INCHES. UNLESS OTHERWISE SPECIFIED, PROJECTION IS THIRD ANGLE.

TOLERANCES (UNLESS OTHERWISE SPECIFIED) SCALE: 1:4

.XX ±.020	.XXX ±.005	ANGLES ± 1/2°	APPROVAL:
-----------	------------	---------------	-----------

REQUEST	DESCRIPTION
Hamilton Beach Brands, Inc. 4421 WATERFRONT DRIVE GLEN ALLEN, VA. 23060	
SERVICE PARTS ASSEMBLY	
COT2000	
DOCUMENT NUMBER	REVISION
540085910	D
SHEET	OF
4	5

Notification Code:



ITEM NO.	DESCRIPTION	PART NUMBER	QTY
110	PACKAGING ASSEMBLY - INCLUDES CARTON COMPONENTS, PROTECTIVE FOAM AND BAGS	290064900	1

<p>THIS DOCUMENT (AND ALL INFORMATION CONTAINED WITHIN IT) IS THE PROPERTY OF HAMILTON BEACH BRANDS, INC. ("HBB"). IT IS CONFIDENTIAL AND PROPRIETARY AND HAS BEEN PROVIDED TO YOU ONLY FOR A LIMITED PURPOSE. IT MUST BE RETURNED OR DESTROYED UPON REQUEST. DISCLOSURE, REPRODUCTION OR USE OF THIS DOCUMENT AND ANY INFORMATION CONTAINED WITHIN IT, IN FULL OR IN PART, FOR ANY PURPOSE IS FORBIDDEN WITHOUT THE PRIOR WRITTEN CONSENT OF HBB. NO PHOTOGRAPHS MAY BE TAKEN OF ANY ARTICLE FABRICATED OR ASSEMBLED FROM THIS DOCUMENT WITHOUT THE PRIOR WRITTEN CONSENT OF HBB.</p>				<p>Hamilton Beach Brands, Inc. 4421 WATERFRONT DRIVE GLEN ALLEN, VA. 23060</p>	
<p>THIS DRAWING CONFORMS WITH ASME Y14.5M-1994 STANDARDS. UNLESS OTHERWISE SPECIFIED, ALL DIMENSIONS ARE IN INCHES. UNLESS OTHERWISE SPECIFIED, PROJECTION IS THIRD ANGLE.</p>				<p>SERVICE PARTS ASSEMBLY</p>	
<p>TOLERANCES (UNLESS OTHERWISE SPECIFIED)</p>				<p>SCALE: 1:8</p>	
.XX ±.020	.XXX ±.005				
<p>ANGLES ± 1/2°</p>				<p>APPROVAL:</p>	
<p>DOCUMENT NUMBER</p> <p>540085910</p>			<p>REVISION</p> <p>D</p>		<p>SHEET / OF</p> <p>5 / 5</p>

Notification Code: