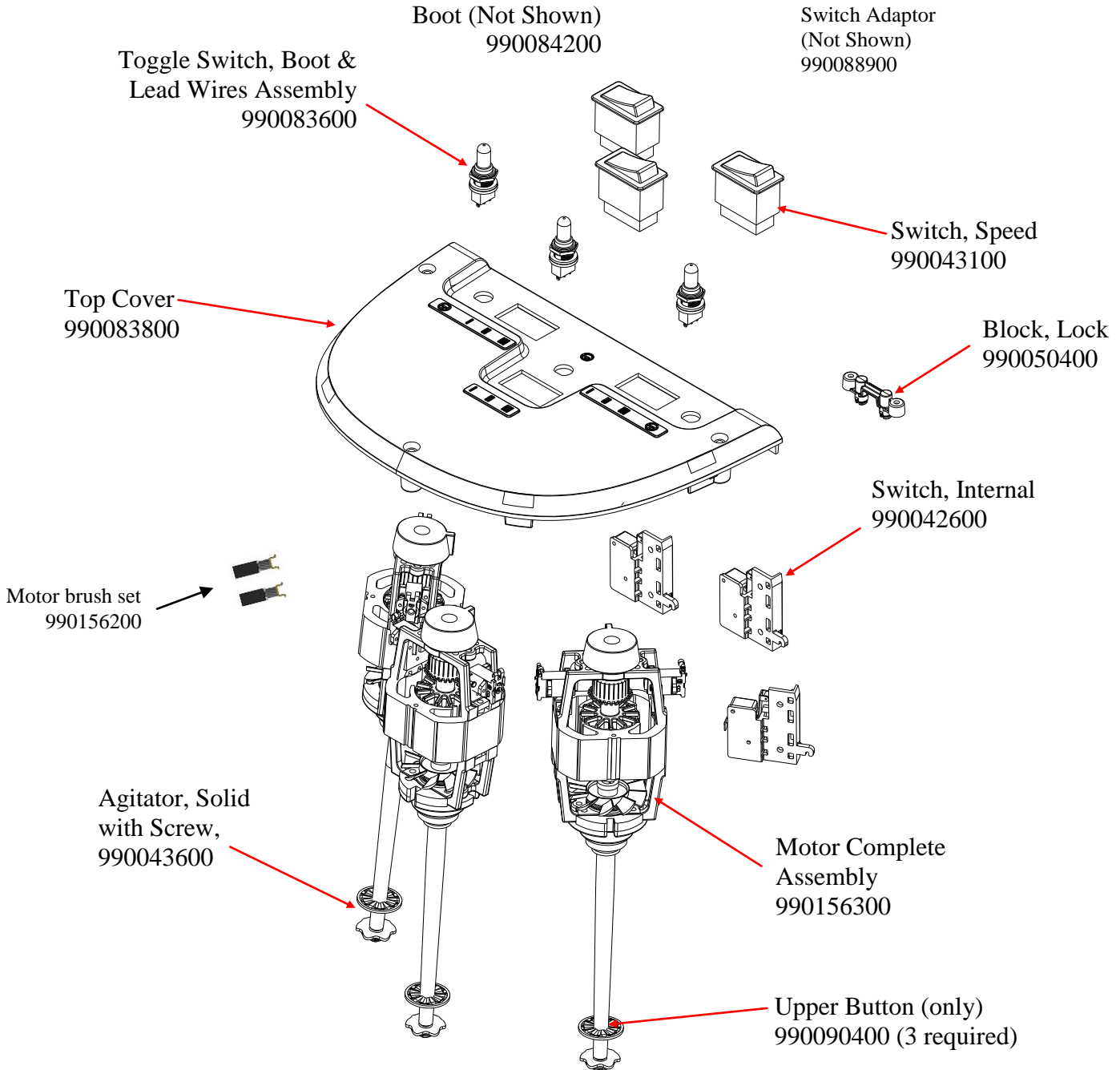



Parts and Accessories Diagram

HMD400

PROPRIETARY RIGHTS NOTICE This document and all information contained within it is the property of Hamilton Beach Brands, Inc. (HBB). It is confidential and proprietary and has been provided to you for a limited purpose. It must be returned or destroyed upon request. Disclosure, reproduction or use of this document and any information contained within it, in full or in part, for any purpose is forbidden without the prior written consent of HBB. No photographs may be taken of any article fabricated or assembled from this document without the prior written consent of HBB.



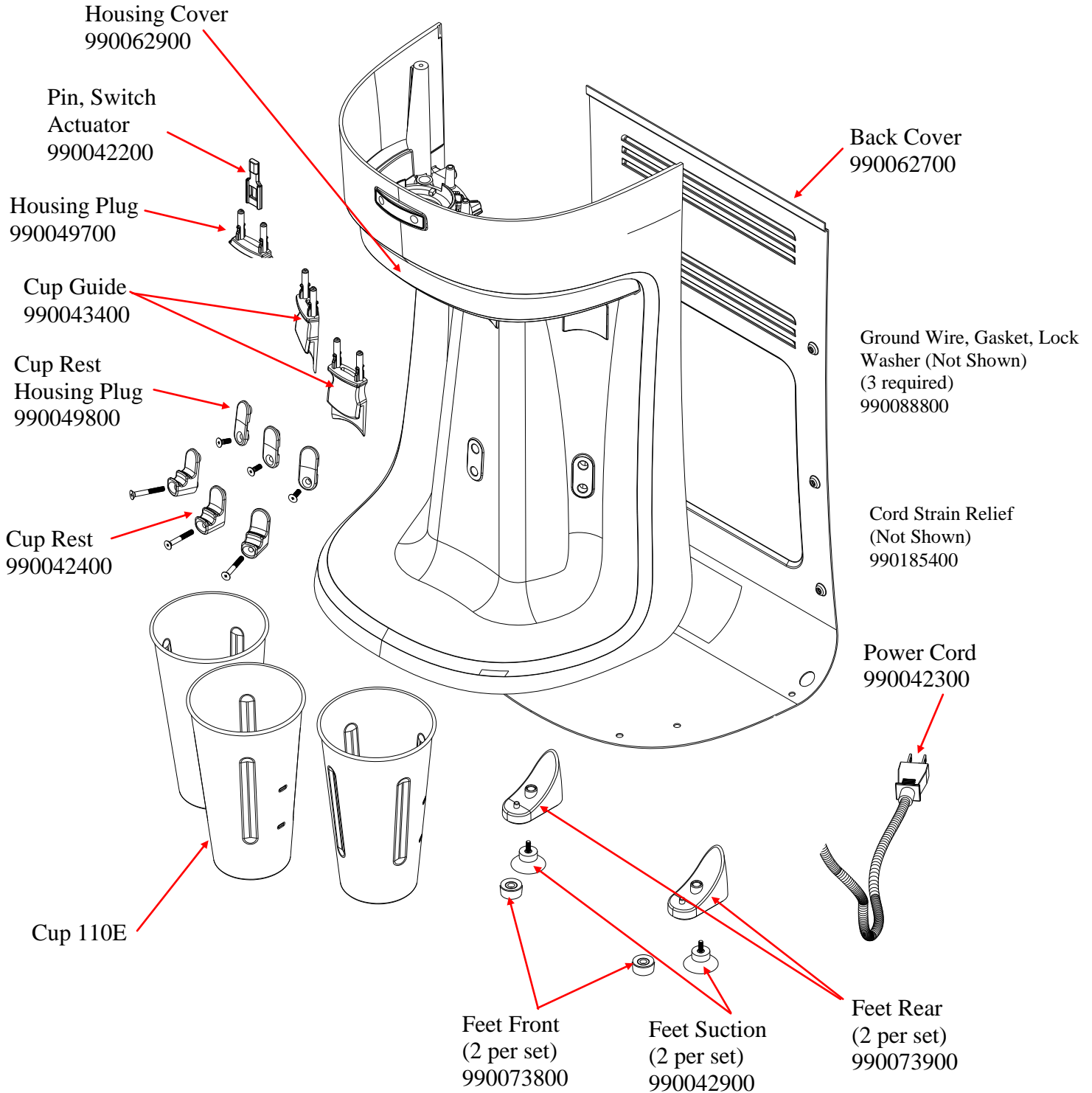
*Switch Upgrade Kit for series A-D – 990092900
Includes: (1) Top Cover, (3) Toggle Switch, (3) Boot, (3) Grounding Wire, and (3) Switch Adaptor


 Hamilton Beach 4421 Waterfront Drive Glen Allen, VA 23060	Revision Description:	Added cord strain relief					
	Request Number:		Revision Date:	5/14/14	Approved by:	DOC4776	
	Issue Code(s):	L	Page:	1 of 3	Document #:	540006700	Rev:

Parts and Accessories Diagram

HMD400

PROPRIETARY RIGHTS NOTICE This document and all information contained within it is the property of Hamilton Beach Brands, Inc. (HBB). It is confidential and proprietary and has been provided to you for a limited purpose. It must be returned or destroyed upon request. Disclosure, reproduction or use of this document and any information contained within it, in full or in part, for any purpose is forbidden without the prior written consent of HBB. No photographs may be taken of any article fabricated or assembled from this document without the prior written consent of HBB.



 <p>Hamilton Beach 4421 Waterfront Drive Glen Allen, VA 23060</p>	Revision Description: Added cord strain relief					
	Request Number:		Revision Date:	5/14/14	Approved by:	DOC4776
	Issue Code(s):	L	Page:	2 of 3	Document #:	540006700
					Rev:	D

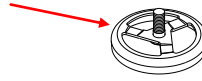
Accessories

PROPRIETARY RIGHTS NOTICE This document and all information contained within it is the property of Hamilton Beach Brands, Inc. (HBB). It is confidential and proprietary and has been provided to you for a limited purpose. It must be returned or destroyed upon request. Disclosure, reproduction or use of this document and any information contained within it, in full or in part, for any purpose is forbidden without the prior written consent of HBB. No photographs may be taken of any article fabricated or assembled from this document without the prior written consent of HBB.

Agitator,
Alternate
928




Agitator,
Alternate
929



Impellor,
Agitator
930



 4421 Waterfront Drive Glen Allen, VA 23060	Revision Description:		Added cord strain relief												
	Request Number:		Revision Date:		5/14/14		Approved by:		DOC4776						
	Issue Code(s):		L		Page:		3 of 3		Document #:		540006700		Rev:		D